

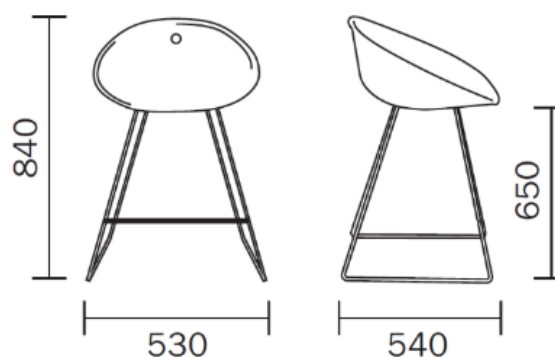
www.kuysenfurniture.com



Gliss 902

Gliss has a cozy and ergonomic shape which takes its inspiration from iconic chairs of the Fifties, featuring by the distinctive element of the hole in the shell. The collection stands out for comfort and functionality, thanks to its sinuous armrests that allow a handy grip, as well embrace the body. Barstool with polycarbonate shell and steel rod sled frame Ø 11 mm. Seat height 650 mm.

<i>Brand:</i>	Pedrali, Made in Italy
<i>Item type:</i>	Barstool
<i>Item Code:</i>	902/TR/CR
<i>Designer:</i>	Claudio Dondoli and Marco Pucci
<i>Color:</i>	Transparent Shell /Alluminum Legs
<i>Dimension:</i>	48 x 47 x 65 cm



Click the link for more options and finishes:

<https://www.pedrali.it/en/products/catalog/Stool-GLISS-902/>