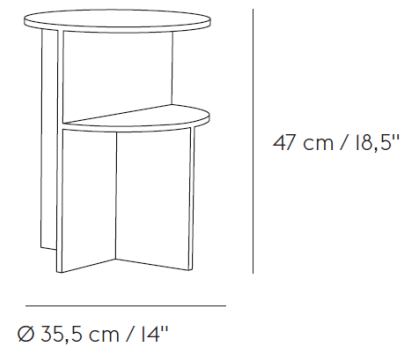




### Halves

"The Halves table is youthful and informal in its aesthetics, but represents more traditional values of durability and practicality simultaneously. We were inspired by the unique properties of the solid surface material which led to the specific exploration of form with an emphasis on planes and intersections. We further wanted to pursue a form that was practical, yet somewhat abstract, and therefore played with asymmetry: Halves presents different aspects of itself over time, depending on the position of the observer." Made from large casted sheets of acrylic stone composite, that are cut into shapes and welded together. Lastly, the surfaces are grinded and polished giving the side table its soft feel and seamless joints.

*Brand:* **MUUTO**  
*Item type:* Coffee Table  
*Item code:* 29007  
*Designer:* MSDS Studio  
*Color:* Sage Green  
*Dimension:* Ø35.5 x 47cm



*Click the link for more options and finishes:*  
<https://muuto.com/halves-side-table>